

164,000

94,000

4,000

8,000

24,000

24,000

16,000

3,000

3,000

3,000

3,000

3,000

3,000

3,000

3,000

3,000

3,000

3,000

3,000

dir. office

lab. tiles

lab. tiles

classroom tiles

classroom tiles

classroom tiles

classroom tiles

RC shelves to details

chalk board to detail

chalk board to detail

chalk board to detail

chalk board to detail

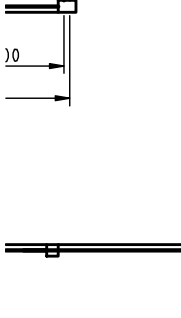
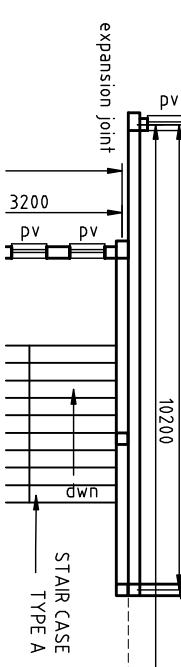
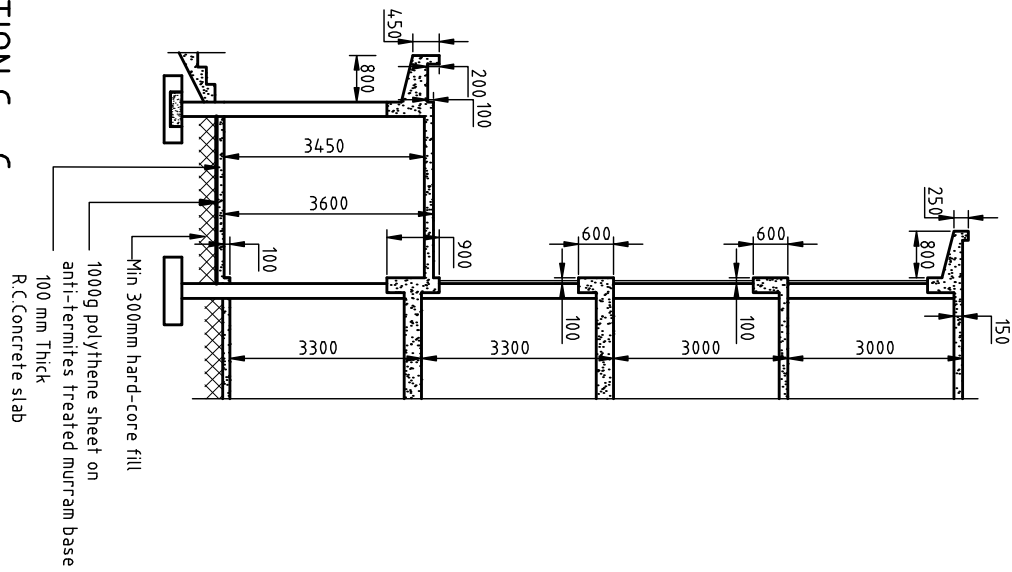
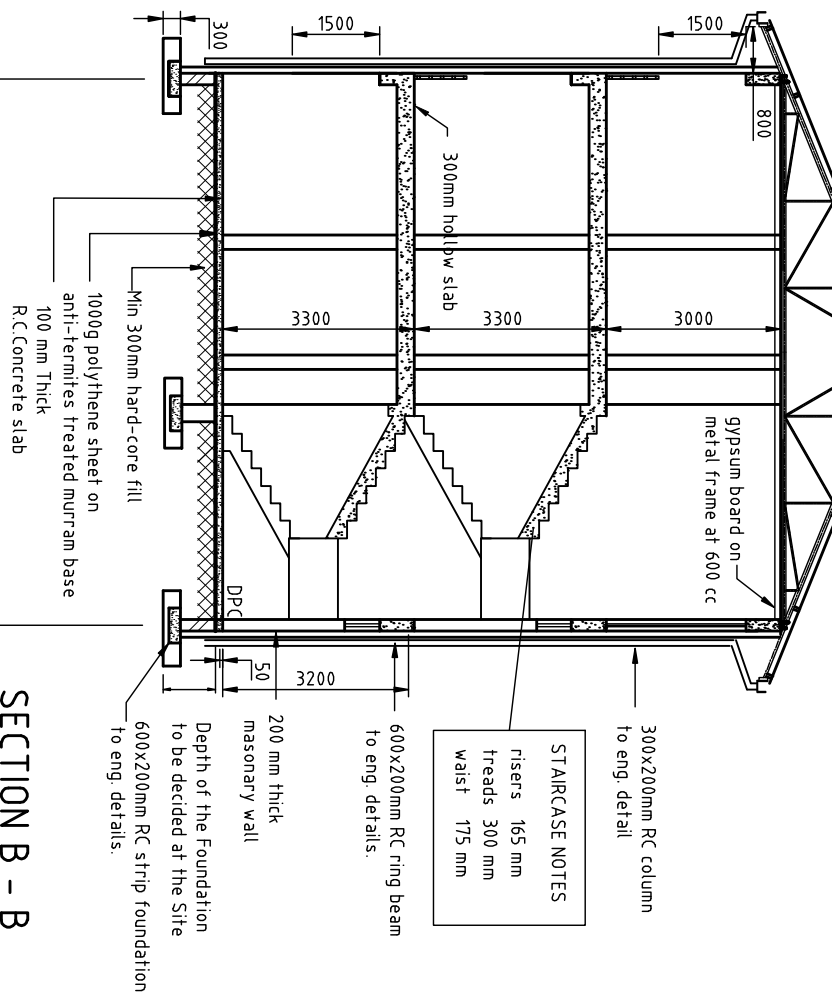
high level windows to detail.

ROOF SPECIFICATION:
 metal trusses with Z-purlins
 to structural design.
 pre-painted roofing sheets (gauge 28)
 plastic gutters and down pipes.

STAIRCASE NOTES
 risers 165 mm
 treads 300 mm
 waist 175 mm

SECTION B - B
 (scale 1:100)

SECTION C - C
 (scale 1:100)



expansion joint

expansion joint

A

A

B

B

D

C

C

4

4

4

4

4

4

4

4

4

4

4

4

4

4

4

4

4

4

4

4

4

4

4

4

4

4

4

4

4

4

4

4

4

4

4

4

4

4

4

4

4

4

4

4

4

4

4

4

4

4

4

4

4

4